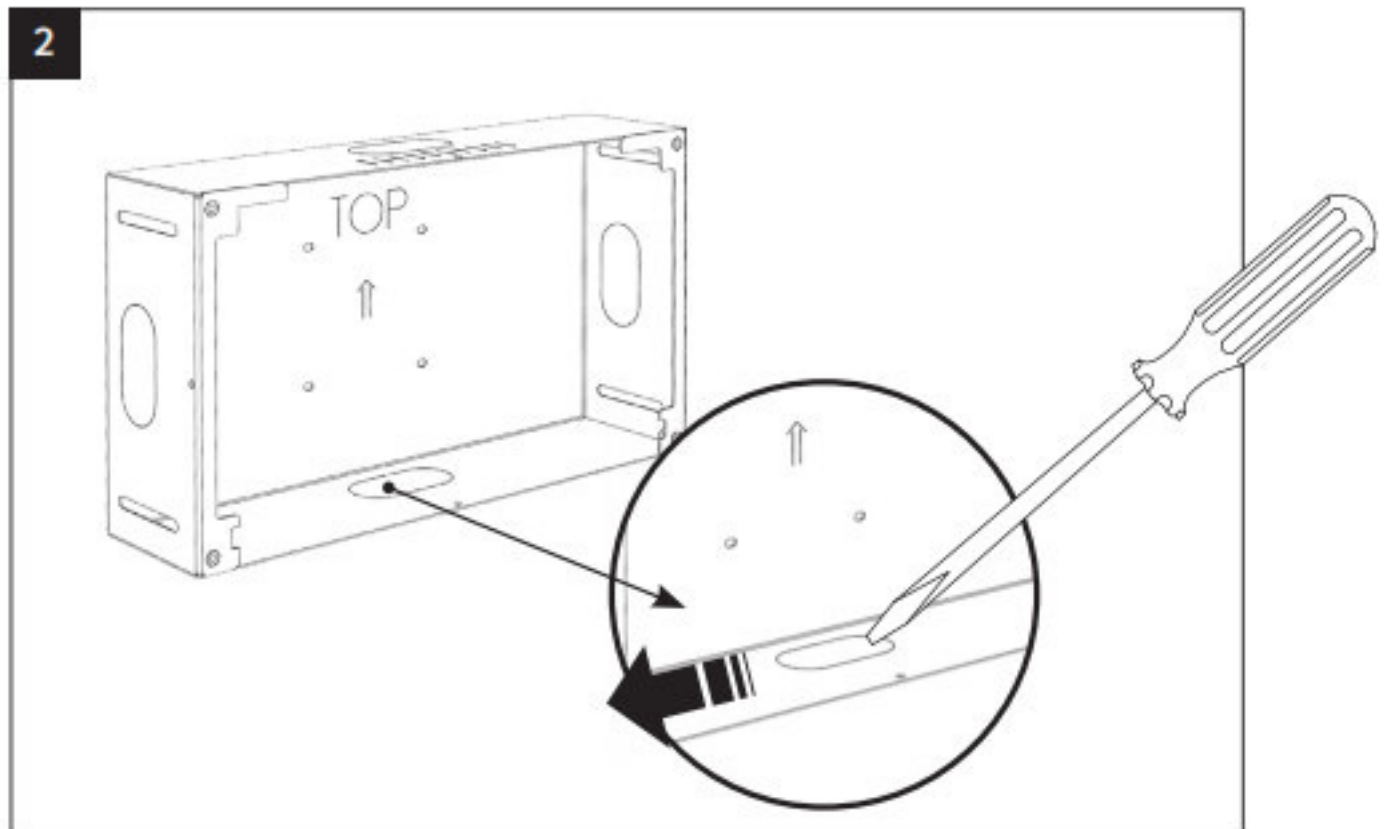
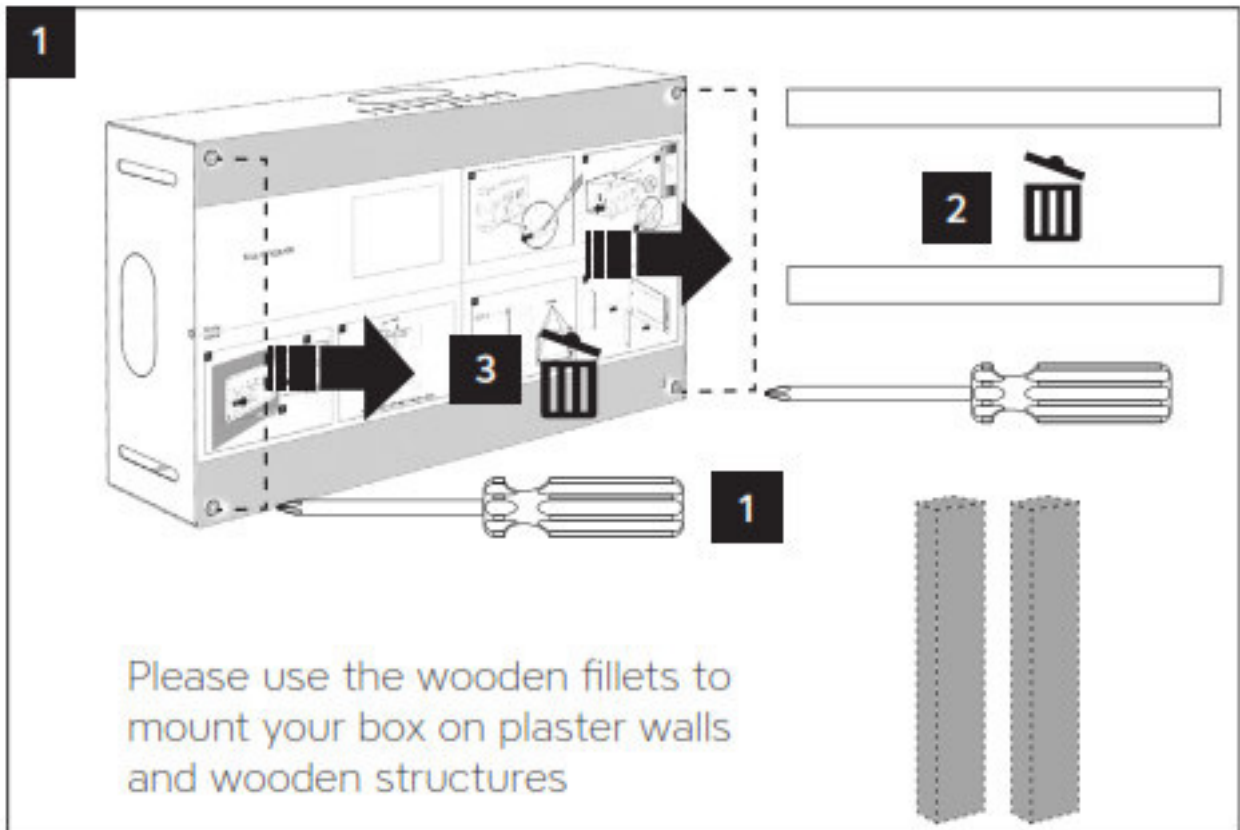
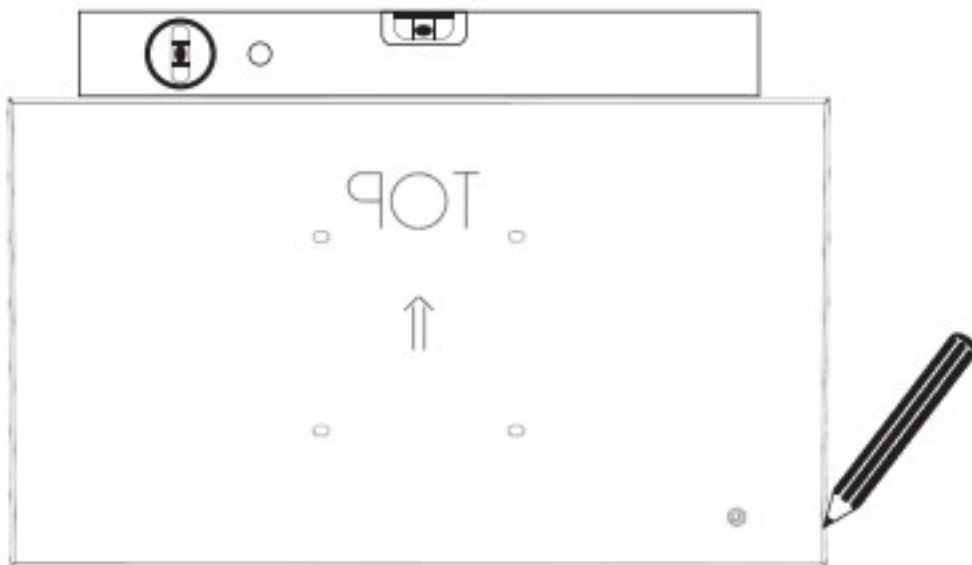


Plaster and wooden structure:



3



Mark out accurately.
Frame covers barely!

4



Mark out accurately.
Frame covers only 1 mm per side!

5



Fix the two wooden fillets inside the wall.



6

