

### TDS20068

The HVAC HUB unit is an interface that makes the connection between one to ten HVAC PLUG units (TDS20067xx) and the DoIP central unit LAN. Up to ten HVAC PLUG units can be connected over 3 wires with this HVAC HUB.

### HVAC HUB interface

#### APPLICATION

TDS integration over IP with (multi-)split indoor units in small to medium size HVAC projects. See list of supported HVAC indoor devices below or ask your TELETASK contact if your specific indoor unit is supported. TELETASK has a range of other HVAC PLUGS for other brands as well.

In order to connect up to ten HVAC PLUG interfaces TDS20067xx with the DoIP system, this universal HVAC HUB TDS20068 is to be used.

#### CHARACTERISTICS

##### General

The integration enables the end-user to control all basic HVAC functions : on/off, cool/heat mode set, temperature set, fan speed- and swing control.

In order to activate this integration with DoIP, a TDS15200 HVAC software license is needed. It is included with the TDS20068 HVAC HUB interface, so it is not to be ordered separately.

##### Supported brands

- Daikin
- Daikin Siesta Series
- Fujitsu
- Fujitsu/General
- Gree
- Hitachi
- LG
- Midea
- Mitsubishi Electric
- Mitsubishi Heavy
- Panasonic
- Samsung
- Sanyo
- Toshiba

More brands available upon request.

#### SETTINGS

##### Configuration

After defining the HVAC PLUG settings via the specific software (installation manual), the HVAC interface is ready to be configured in the PROSOFT Suite (V3.8 or higher).

##### AUTOBUS address

Not applicable. The interface is not connected to AUTOBUS but communicates with the TELETASK central unit(s) via standard LAN connection.

#### INSTALLATION

##### Mounting

The interface is compact and can be installed hidden in almost any place where it can be connected with the LAN (ethernet) and to the one to ten HVAC PLUGS units (3-wire Modbus network). We recommend to install it where you have easy access (like in the electrical board or ICT rack).

##### Supply voltage

The HVAC HUB is powered with the supplied mains adaptor.

#### CONNECTIONS

##### Modbus to the HVAC PLUG unit(s)

The HVAC PLUG units are connected to the HVAC HUB via Modbus, which means a multi-drop network of 2+1 wire which can be up to 1000 meter long in total. For example a 2 x twisted pair cable with wires 0.5mm<sup>2</sup>.

##### To the LAN

The HVAC HUB has a standard RJ45 ethernet connection in order to be connected to the LAN (switch).

#### POWER CONSUMPTION

No consumption on the TDS system (the HVAC HUB is powered by the supplied mains adaptor).

#### DIMENSIONS

118 L x 75 W x 32 H (mm)

#### NET | GROSS WEIGHT

0,14 kg | 0,36 kg

#### PACKAGING CONTENT:

TDS20068 interface  
Mains adaptor  
Mounting unit

#### ENVIRONMENTAL CONDITIONS

##### Storage (with no condensation or icing)

Temperature: -20°C to +65°C max.  
Relative humidity: 5% to 85% max.

##### Operation (with no condensation or icing)

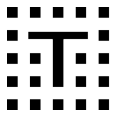
Temperature: 0°C to +50°C max.  
Relative humidity: 5% to 80% max.

#### IP PROTECTION RATE

IP20

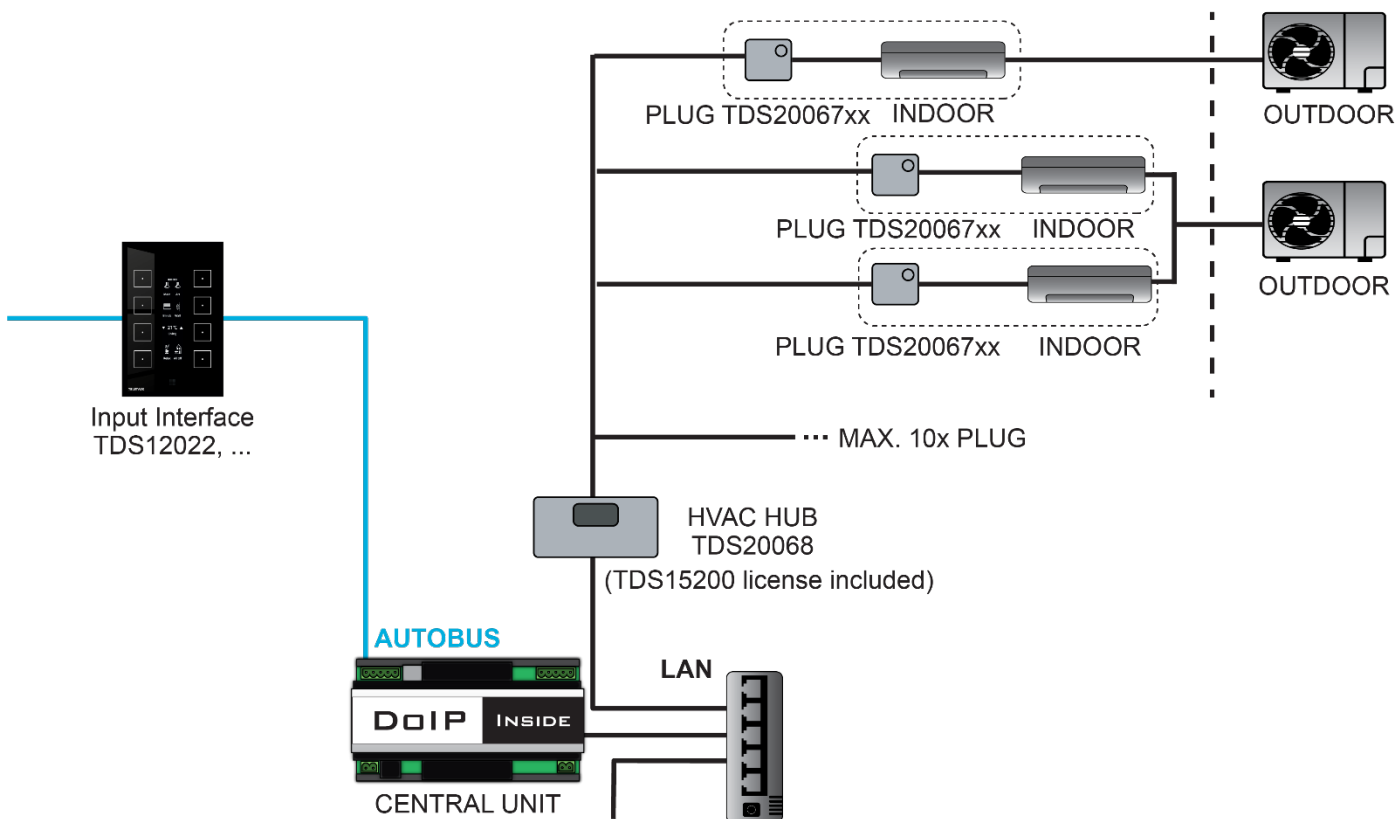
#### LIMITED WARRANTY

3 year



**SCHEMATIC DRAWING**

**SPLIT / MULTI SPLIT**



**COMPATIBILITY LIST**

Daikin	<u>Outdoor VRF Unit Types</u>			<u>Indoor VRF Unit Types</u>		
	ERLQ3 ERHQ3			ADEQS	FXDYQ	FQSP
Daikin	<u>Outdoor Split Unit Types</u>			FXCQ	FXSQ	FXDp
	RZQ (RZR) RQ RXRY			FXNQ	FXAQ	EHSX3
Daikin				FXLQ	FXUQ	EHVX3
				FXFQ	FXMQ	EHVA3
Daikin				FXKQ	FXHQ	EBH3
				FXZQ	FXTQ	EHBX3
Daikin				FXDQ	FQDP	FDYQN
				<u>Indoor Split</u>		
Daikin				FDX2	FFQ1	FCQ1
				CDX2	FAQ1	FHQ
Daikin				FTX2	FBQ1	FTQ1
						FDQ1
Fujitsu	<u>Series</u>					
Fujitsu	ASBG	ARXC	ABYG			
Fujitsu	ASYA	ARXB	ABYF			
Fujitsu	ASYG	AUYG	ABYA			
Fujitsu	ASYB	AUYF	ARTAL			
Fujitsu	ASYE	AUYA	RCI			



	ARYF      AUXB      RPC ARYG      AUXD      RPF ARYA      AUXA      RCD ARXA      AGYF      RPK ARYC      AGYG      RPI RPF	
<b>Mitsubishi Electric</b>	<u>Indoor Split</u> PKFY      PLFY-P-VCM      PEA-RP PEFY      PEAD-RP      SEZ PFFY-PVKM      PCA      SLZ	
<b>Hitachi</b> <b>LG</b> <b>Gree</b> <b>Midea</b> <b>Mitsubishi Heavy</b> <b>Panasonic</b> <b>Samsung</b> <b>Sanyo</b> <b>Toshiba</b>	Please contact your local support to confirm your model	