

TDS12070xx OPUS



With the OPUS touch screen, you can manage all integrated home- and building automation functions. In addition, the OPUS can also be used as a VoIP-SIP (client) video door phone station. It has a built-in motion detector for fast screen activation. OPUS integrates all into one single user-friendly device with a 7-inch (17.8cm) high resolution colour touch screen. On top, up to 50 IP cameras can be visualised in full- and quad screen mode. Several other features are available, such as an alarm indicator, intercom, telephone, alarm keypad, etc... The OPUS can be wall mounted. Optional desktop holder available. This way the OPUS is particularly useful for applications as bed side panel or on an office/reception desk, kitchen worktop, etc...

APPLICATION

Touch screen device to control home automation functions, including indoor video door phone, camera monitor, phone, intercom and alarm keypad.

CHARACTERISTICS

Display

7" Wide LCD touchscreen
Wide SVGA 1024x600 resolution
16,2M colour depth

Operating system

Android™

Camera visualization

Supports RTSP and HTTP(S)
Codecs: H264, MJPEG-stream

Audio

Built-in microphone and speaker.
VoIP, SIP client
Audio codecs: G722, PCMA, PCMU, G729, GSM, ILBC, AMR, AMRWB, SPEEX, SPEEXWB, ISACWB, SACS WB, OPUS.

Proximity sensor

A built-in motion sensor detects the person when approaching the device and activates the screen when in sleep mode.

Touch

Capacitive touch screen (glass surface). Automatic configuration in PROSOFT. Functions and menu's can be customised (per individual OPUS device) to the needs of the customer.

Power

Power over ethernet (PoE 802.3af Mode-A or Mode-B).

LED feedback

- Blue LED for messages and missed phone calls
- Red LED for alarms

Reset button (hidden)

Clears configuration data.

Cleaning

To temporary disable the touch screen for 30 seconds, press the clean button in settings.
! Use only dry microfiber cloth. Never use liquids or solvents!

SETTINGS

Configuration

Automatic via PROSOFT Suite (3.7.3 or higher).

INSTALLATION

Mounting

To be mounted with included wall bracket on a flat surface over a standard single wall box (circular or rectangular) of 60mm.

Or order the TELETASK standard single wall box for brick walls ref. TDS90000AT. For plaster board or other hollow walls order ref. TDS90000PB.
Optional: Desktop mounting holder ref. TDS12075.

Anti-theft protection

If required, the OPUS can be protected from dismounting.

Mounting height

See the schematic drawing below.

CONNECTIONS

Ethernet

48V supplied via PoE 802.3af

Inputs

Contact input for one voltage free bell push button (within 10m cable length).

Outdoor Units/SiP server

An up-to-date list of compatible external SiP servers and VoIP outdoor units can be found on professional.teletask.be – [Check the Technical Handbook.](#)

POWER CONSUMPTION

PoE

Max. 9W (2.5W Standby)

DIMENSIONS

203 W x 117 H x 17 D (mm)

NET | GROSS WEIGHT

0,38 kg | 0,62 kg

PACKAGING CONTENT:

TDS12070 device
Wall bracket
5x Wall screw + 5x plug
1x Hex socket screw + 2mm hexagonal tool

ENVIRONMENTAL CONDITIONS

Storage (with no condensation or icing)

Temperature: -20°C to +65°C max.
Relative humidity: 5% to 85% max.

Operation (with no condensation or icing)

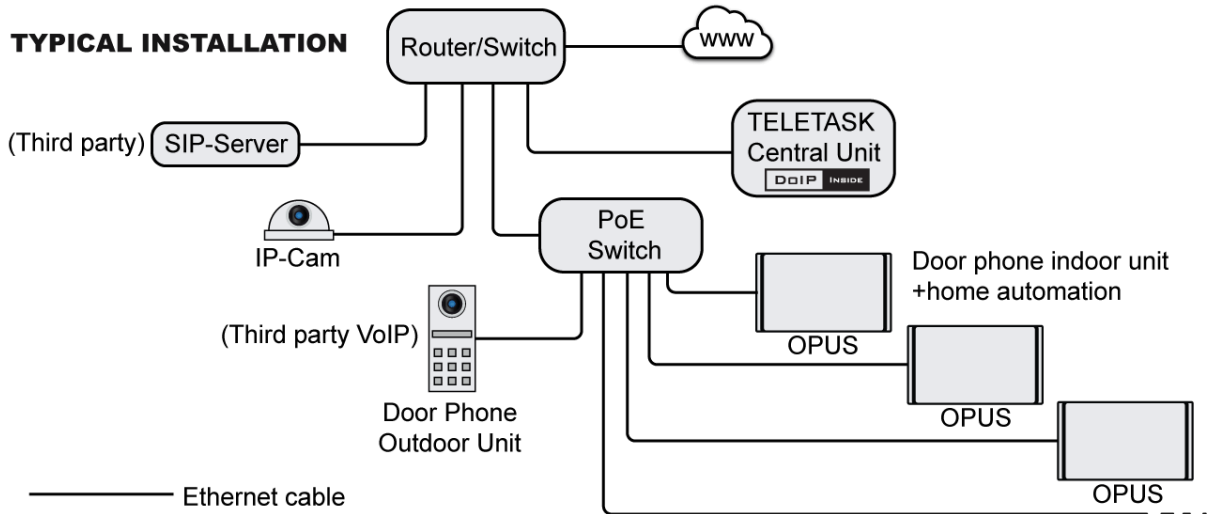
Temperature: 0°C to +40°C max.
Relative humidity: 5% to 80% max.

IP PROTECTION RATE

IP20

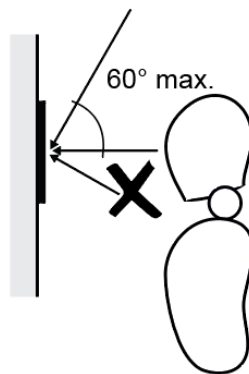
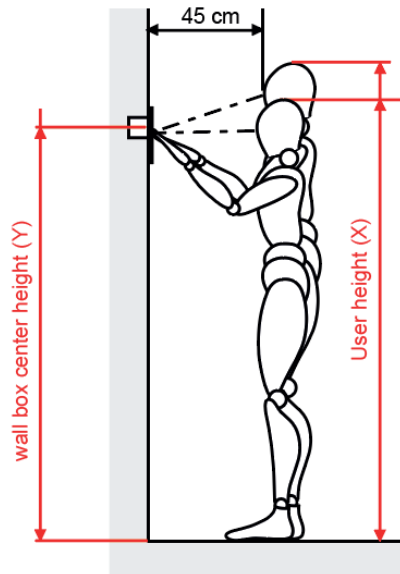


SCHEMATIC DRAWING



See professional.teletask.be for compatibility check

TECHNICAL INFORMATION



X	Age	Y
115<X<125	(6)	110
125<X<135	(8)	120
135<X<145	(10)	130
145<X<155		140
155<X<165		150
165<X<175		160
175<X<185		170
185<X<195		180
195<X<205		190

All values in cm

Remark: Top view screen.

Remark: Wall box center height (Y) = smallest user height (X) - 5cm

Remark: OPUS Center height = wall box center height - 1,1cm.

Remark: To be able to control the touch screen from out of a wheelchair, the wall box height (Y) should not be higher than 91cm.

Indoor use

Protect against direct sunlight

Installation on flat surfaces only